

ETP Flexel® EMT Flexible Fitting

Type FLA

For EMT

Application

The Flexel Fitting is an innovative product in which to couple lengths of EMT together or connect EMT to a panel board, junction box, etc., when and where a change of direction is required in the conduit run.

Features

- Easily hand-bendable from straight tubing to 90° or any angle in between. No need to waste time using cumbersome bending equipment.
- Rigid enough to maintain configuration until manually re-formed.
- Wire pulls through formed bends.
- Specially designed so internal diameter remains unchanged, regardless of the bend configuration.
- Maintains compliance with NEC's minimum radius requirements.
- Can be bent to various degrees, including offset and compound angles.
- Suitable for use indoors or dry locations wherever EMT is used as a raceway.
- Safely conducts the maximum ground fault current required by UL, CSA and the National Electrical Code. No need to pull a separate grounding conductor.

Standard Material/Finish

Flexible Length: Strip Steel/Galvanized
End Fittings: Steel/Galvanized

Compliances



UL Listed: E-14895



CSA Certified: LR9795

Applicable Third Party Standards:

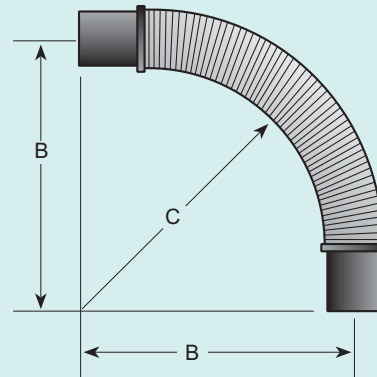
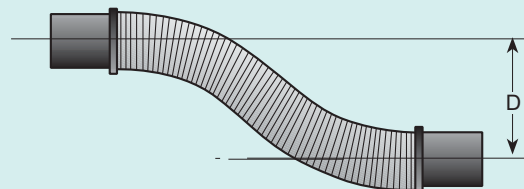
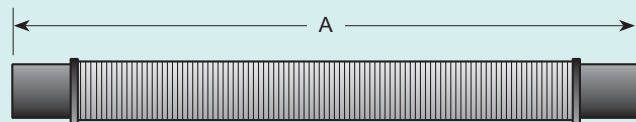
- UL Standard: 514B
- CSA Standard: C22.2 No. 18



Type FLA

Trade Size (inches)	Catalog Number	A Nominal Length	Dimensions in inches		
			B	C Radius	D Max. Offset
1¼	FLA-125	24	14½	7¾	4½
1½	FLA-150	29	14¾	9¾	6½
2	FLA-200	26	16¾	13¾	4¾
2½	FLA-250	29	22	16	2½
3	FLA-300	36	22	17	3¾
3½	FLA-350	38	22	18	3
4	FLA-400	40	26½	19	11

Dimensions are approximate.
Consult your local representative for details.



TW